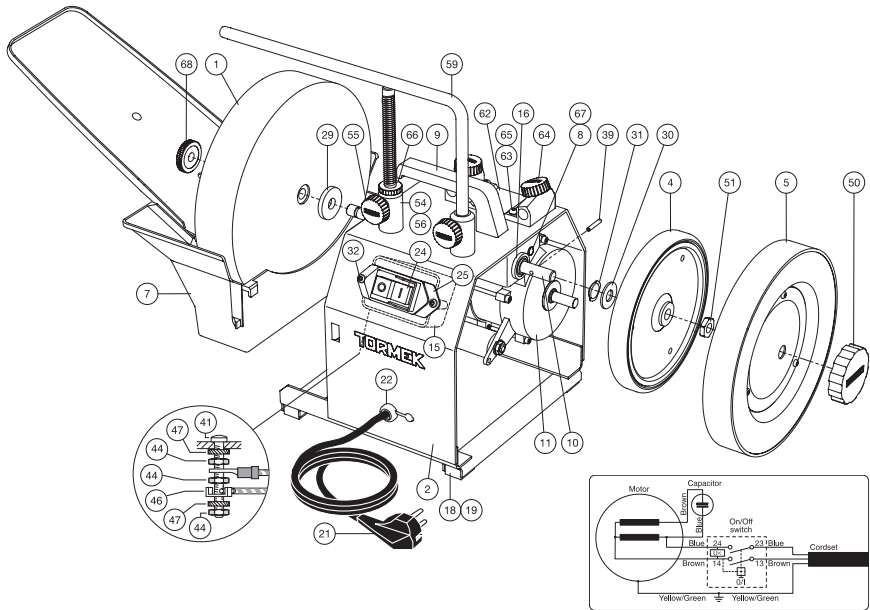


Spare parts list – Tormek T-7



No.	Denomination	Qty	No.	Denomination	Qty
1	Grindstone	1	32	Screw for cover	2
2	Housing	1	39	Locking pin	1
4	Drive wheel with friction ring	1	41	Screw	1
5	Honing wheel	1	44	Nut (brass)	3
7	Water trough with water chute	1	46	Folded washer	1
8	Mounting shaft	1	47	Locking washer	2
9	Handle incl. nut and washer	1	50	Locking knob for honing wheel	1
10	** Main shaft	1	51	Nut. M12 h=4	1
11	Motor 200 W	1	54	Sleeve	2
15	Cover for switch	1	55	Locking screw	2
16	Nylon bearing	2	56	Nut for sleeve	2
18	Rubber foot	4	59	Universal Support excl. adjusting nut	1
19	Tilt foot	2	61	* Distance spring for the motor	1
20	* Machine label	1	62	Horizontal Base	1
21	Cord set	1	63	Screw	4
22	Cord set bushing	2	64	Locking screw	2
24	Switch	1	65	Washer	4
25	Frame for switch	1	66	Adjusting nut with scale	1
29	Washer for the stone	1	67	* Bushing for mounting shaft	1
30	Washer for the drive wheel	1	68	EzyLock	1
31	Wave spring washer	1			

* Not shown on drawing.

** Available only with MSK-250.