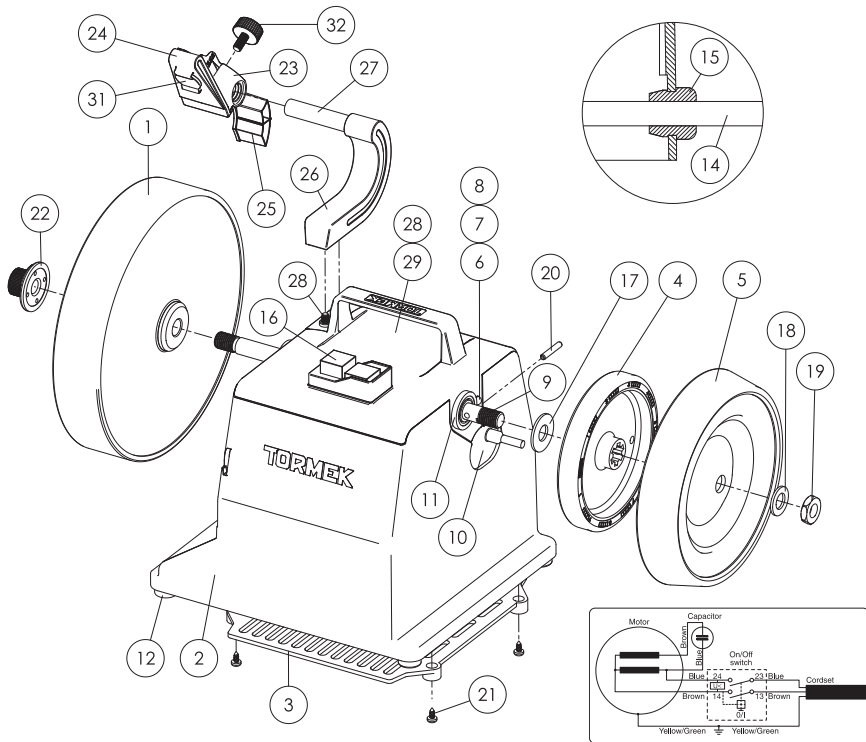


Spare part list



No.	Denomination	Qty	Art.no.
1	Grinding wheel	1	6078
2	Housing	1	3020 (230V) 3060 (115V)
3	Grating	1	3185
4	Drive wheel with friction ring	1	3208-07 (230V) 3186-07 (115V)
5	Honing wheel	1	3670-07
6	Mounting shaft	1	1400
7	* Bushing for mounting shaft	3	3128
8	* Distance spring for the motor	1	0770
9	Main shaft	1	1048
10	Motor 120 W	1	6168 (230V) 6010 (115V)
11	Nylon bearing	2	3061
12	Rubber foot	4	3198
13	* Machine label	1	7750 (SE/EN) 7770 (EN/FR)
14	Cord set	1	6031 (SE) 6041 (CH) 6043 (US) 6050 (JP) 6053 (GB) 6055 (AU) 6057 (ZA)

No.	Denomination	Qty	Art.no.
15	Strain relief	1	6081 (230V) 6191 (115V)
16	Switch	1	6320 (230V) 6330 (115V)
17	Washer for the drive wheel	1	5081
18	Washer for the honing wheel	1	5350
19	Nut M12 h=6	1	1051
20	Locking pin	1	5071
21	Screw for grating	4	5191
22	EzyLock	1	3520
23	Jig	1	2480
24	Clamp	1	3690
25	Pointer	1	3680
26	Axis holder	1	2490
27	Axis	1	1420
28	Screw M5x10	6	5590
29	Machine head	1	2440
30	* Screw M4x8	2	5600
31	Magnet	1	5370
32	Locking screw	1	1185

Weight machine only: 6.3 kg (13.9 lbs)

* Not shown on drawing